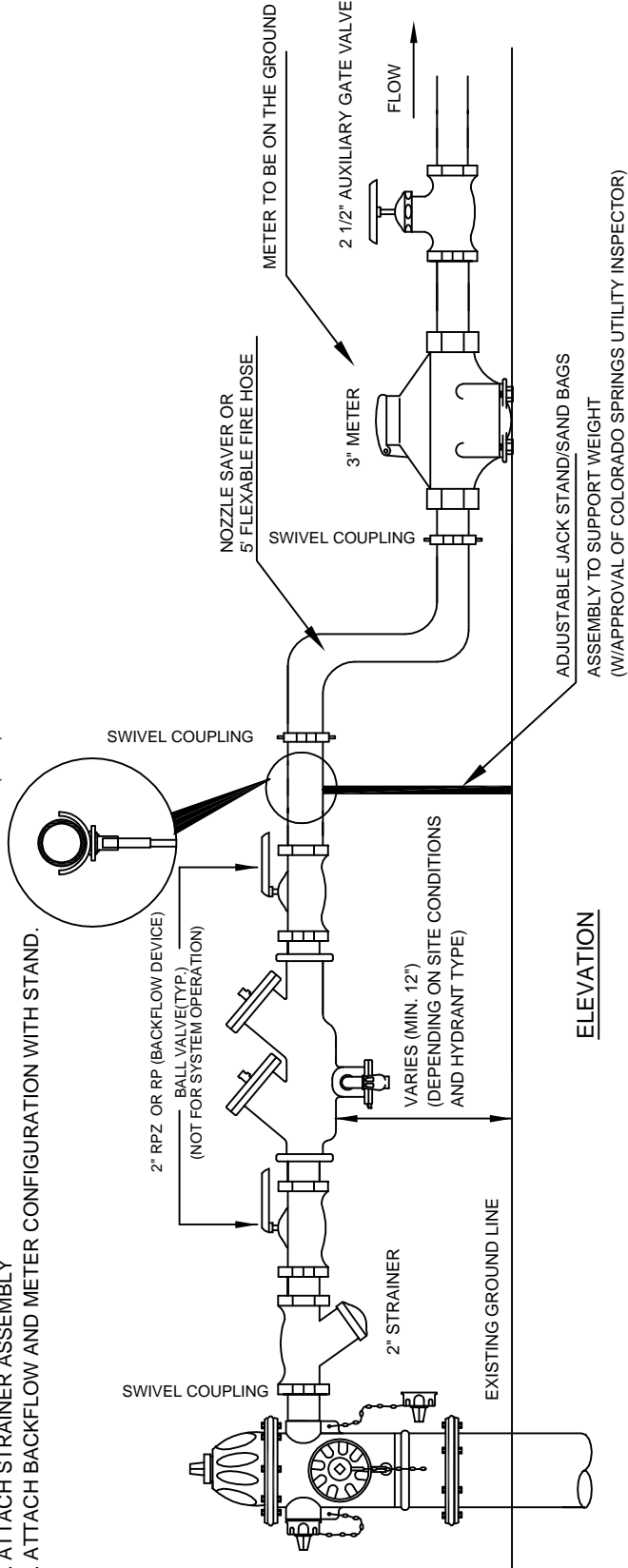


PLAN

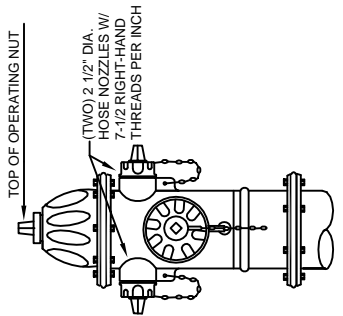
RECOMMENDED ASSEMBLY

1. FLUSH HYDRANT BEFORE CONNECTING ASSEMBLY
2. ATTACH STRAINER ASSEMBLY
3. ATTACH BACKFLOW AND METER CONFIGURATION WITH STAND.

SUPPORT DETAIL (TYP.)



ELEVATION



NOTE:

1. THE PERMIT HANGER MUST BE VISIBLY DISPLAYED ON THE HYDRANT WHILE IN USE.
2. USE OF A HYDRANT WITHOUT A BACKFLOW PREVENTION DEVICE IS IN VIOLATION OF THE COLORADO SPRINGS WATER CODE FOR CROSS CONNECTION CONTROL. (CITY CODE 12.4.12)
3. REDUCED PRESSURE PRINCIPAL (RP OR RPZ) TYPE PER COLORADO PRIMARY DRINKING WATER REG 12.2. A PRESSURE REGULATOR WILL BE REQUIRED ON HYDRANTS WITH PRESSURES GREATER THAN 120 PSI.
4. QUESTIONS OR CONCERNS, PLEASE CALL CONTRACT ADMINISTRATION AT 668 - 8111
5. CONTRACTOR WILL BE HELD RESPONSIBLE FOR ANY DAMAGE TO THE FIRE HYDRANT DURING USE.
6. BACKFLOW DEVICES SHALL BE TESTED ANNUALLY, BEFORE USAGE WILL BE ALLOWED.